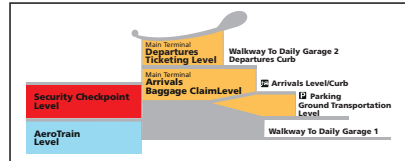
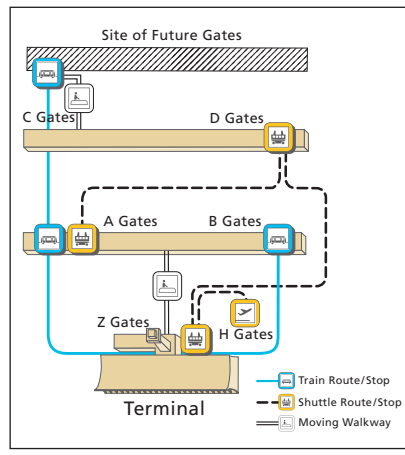


AIRLINE TICKET COUNTERS

- 4 Aer Lingus
- 1 Aeroflot
- 1 AeroMexico
- 3 AeroSur
- 2 Air France
- 3 AirTran
- 3 All Nippon Airways
- 1 American Airlines
- 3 Austrian Airlines
- 3 Avianca
- 1 British Airways
- 1 Cayman Airways
- 2 Copa
- 1 Delta
- 1 Ethiopian
- 3 Icelandair
- 3 JetBlue
- 2 KLM
- 2 Korean Air
- 3 Lufthansa
- 3 Porter
- 2 Qatar Airways
- 1 Saudi Arabian SAS
- 3 South African
- 1 Southwest
- 3 TACA
- 3 Turkish Airlines
- 4 United/United Express
- 2 US Airways/Express
- 1 Virgin America
- 2 Virgin Atlantic



Level Indicator



Airport Transit Map

ALL EMERGENCIES	911
Police/Fire/Ambulance (Non-Emergency)	703-572-2400
Police Station (Non-Emergency)	703-572-2950
Airport Information	703-572-2700



TERMINAL

DEPARTURES/TICKETING LEVEL

- Currency Exchange
- Elevators
- Escalators
- Food/Beverage
- Gift Shop
- Telephones
- Ticketing
- Restroom Facilities

SECURITY CHECKPOINT LEVEL

- Elevators
- Escalators
- Restroom Facilities
- Security Checkpoint

AEROTRAIN LEVEL TO ALL GATES

- AeroTrain Platform
- Elevators

ARRIVALS/BAGGAGE CLAIM LEVEL

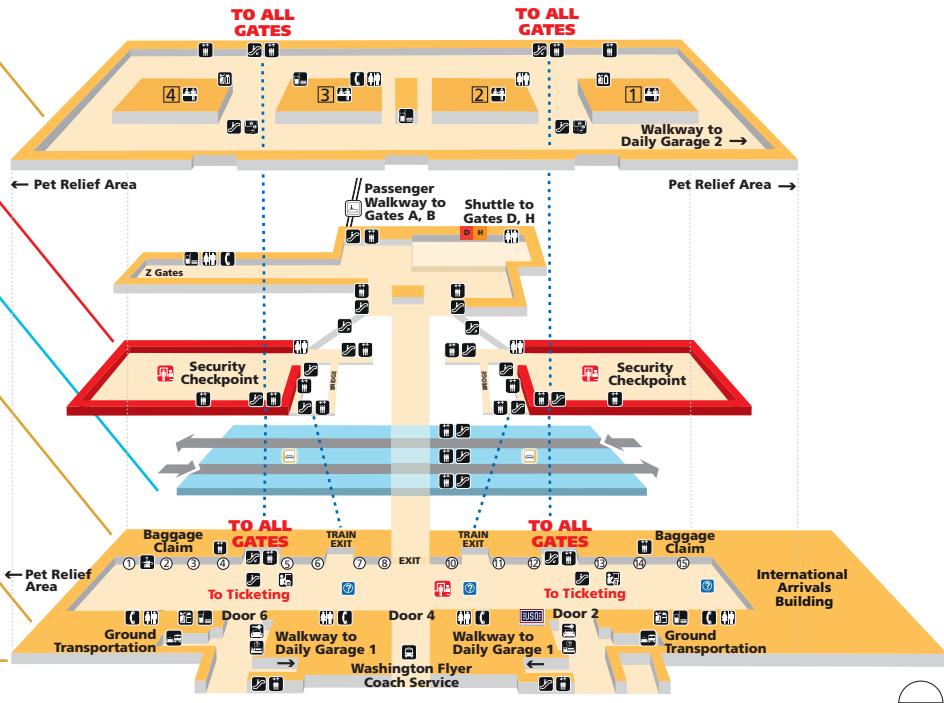
- ATM/Cash Machine
- Baggage Claim Carousels
- Elevators
- Escalators
- Food/Beverage
- Gift Shop
- Information Counter
- Lost and Found
- Moving Walkway
- Restroom Facilities
- Telephones
- USO Lounge
- Washington Flyer Coach Service

GROUND TRANSPORTATION LEVEL

- Car Rental
- Elevators
- Telephones
- Hotel Information
- Taxi/Shared Van
- Parking

CURB LEVEL

- Air & Space Museum Shuttle Bus - Curb 2E
- Hotel Pick Up - Door 2, Curb 2A or Door 6, Curb 2H
- Metrobus Route 5A Service To/From L'Enfant Plaza and Rosslyn - Door 4, Curb 2E
- Rental Car Shuttle - Door 4, Curb 2E



Information effective 4/12 and is subject to change without prior notice.

